

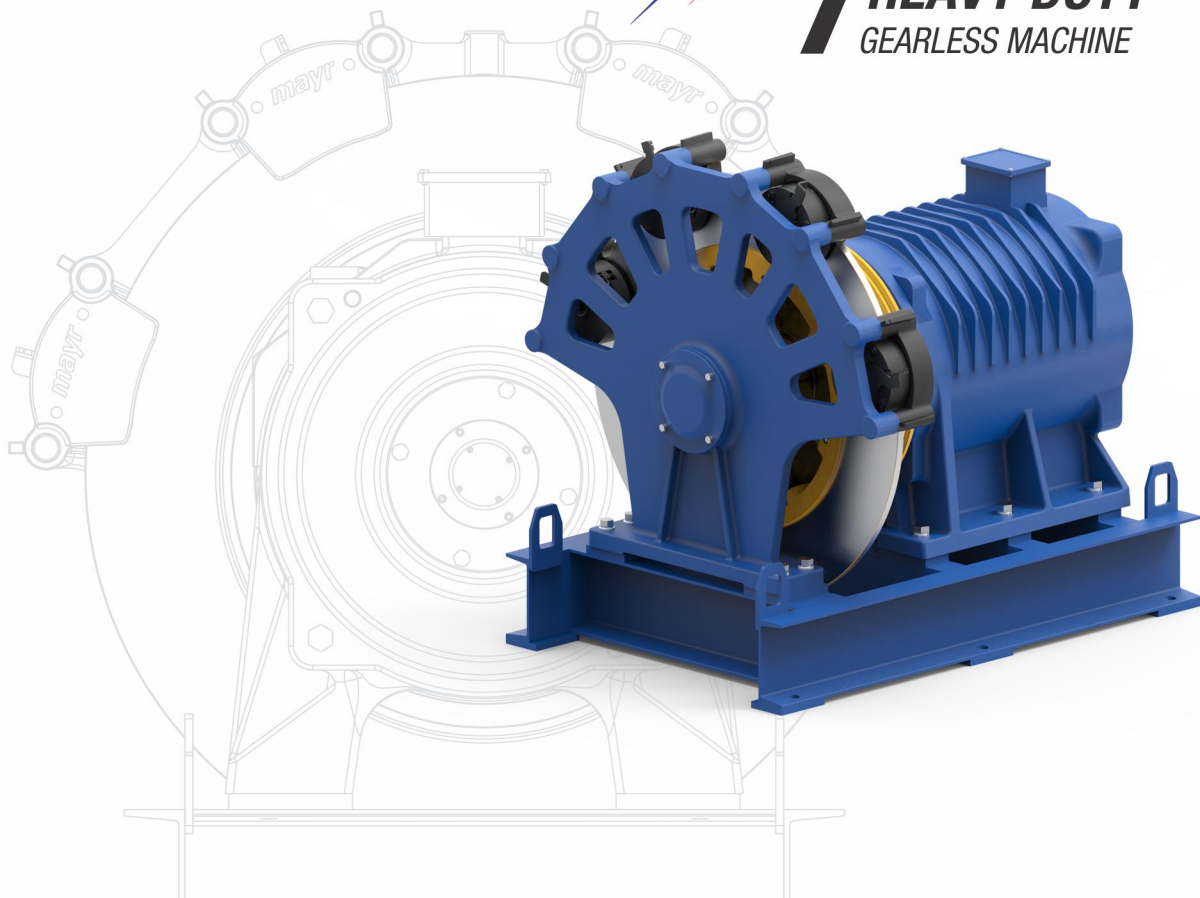
GEARLESS



SHARP
ENGINEERS
NORTH AMERICA

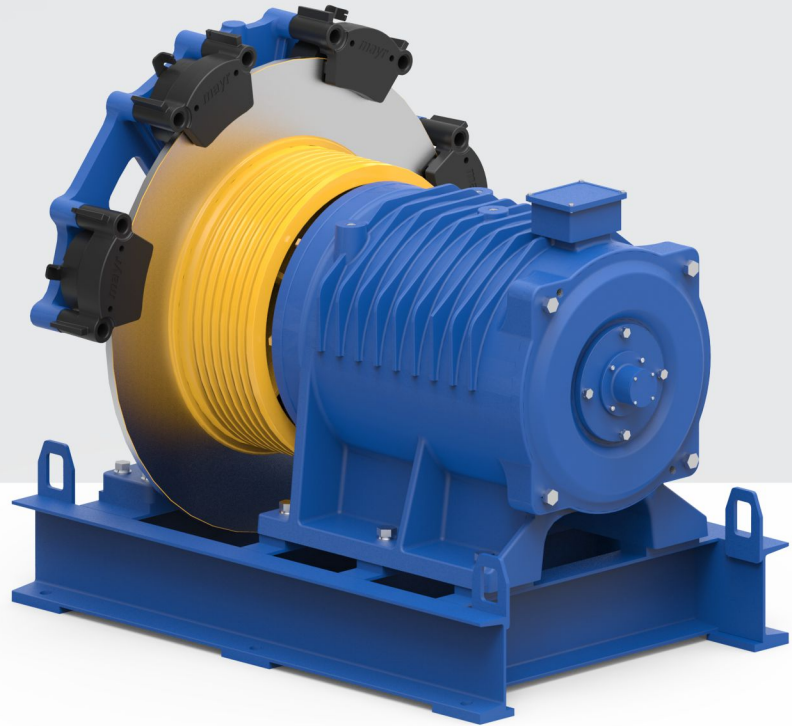
The **Quality** Inspires Trust

X7 **HEAVY DUTY**
GEARLESS MACHINE






X7 HEAVY DUTY
GEARLESS MACHINE

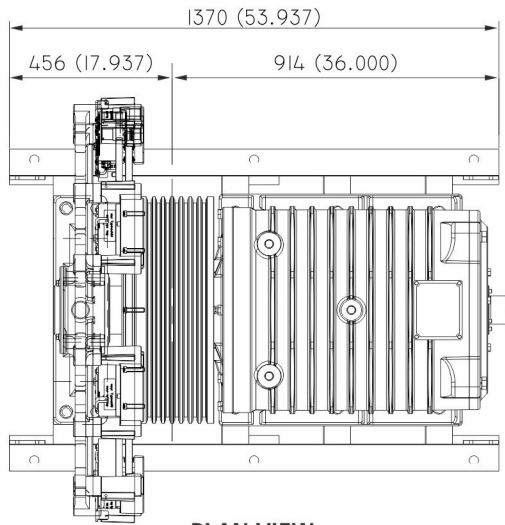


SPECIFICATION		
Roping		1;1
Sheave shaft Load (Dynamic)	lbs (Kg)	21852 (9912)
Elevator Capacity 100%	lbs (Kg)	3500 (1588)
Elevator Speed	fpm (m/sec)	350 (1.78)
Sheave Diameter / Rope Size / Grooves	Inch	25" - 5/8 - 6 Ropes
Rated Power	Kw (HP)	18.7 (25.08)
Rated Torque	ft-lbs (Nm)	2463 (3339)
Rated Torque (125%)	ft-lbs (Nm)	3476 (4712)
Rated RPM	rpm	54
Rated Voltage	V	460
Rated Frequency	Hz	10.7
Brake Torque at Sheave (125%)	ft-lbs (Nm)	3128 (4241)
Emergency Brake Torque	ft-lbs (Nm)	3128 (4241)

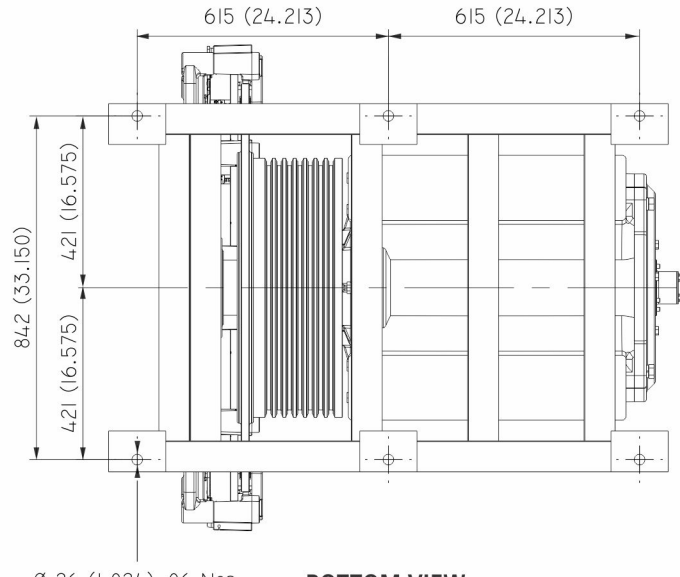




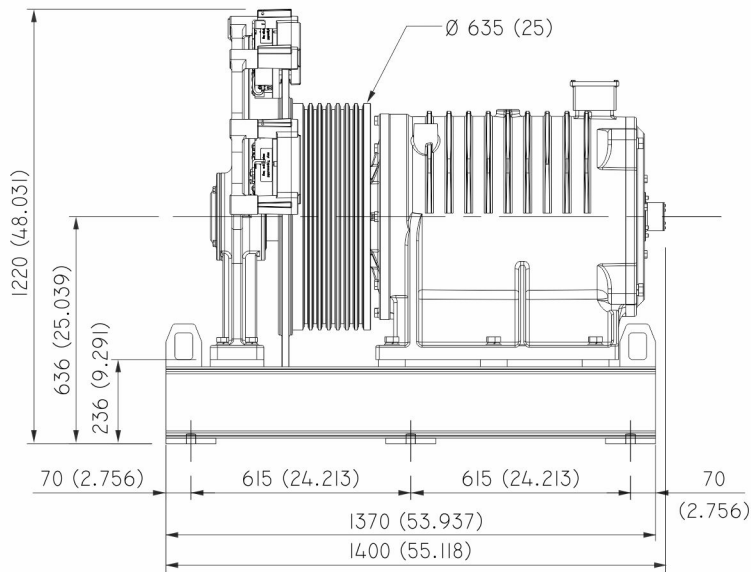
X7 HEAVY DUTY GEARLESS MACHINE



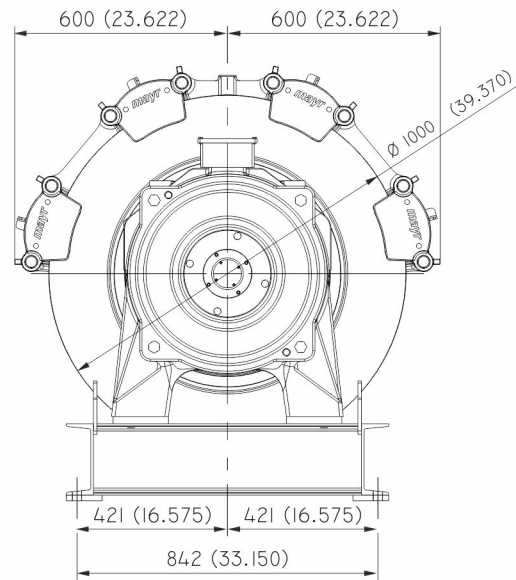
PLAN VIEW



Ø 26 (1.024), 06 Nos. BOTTOM VIEW



FRONT VIEW



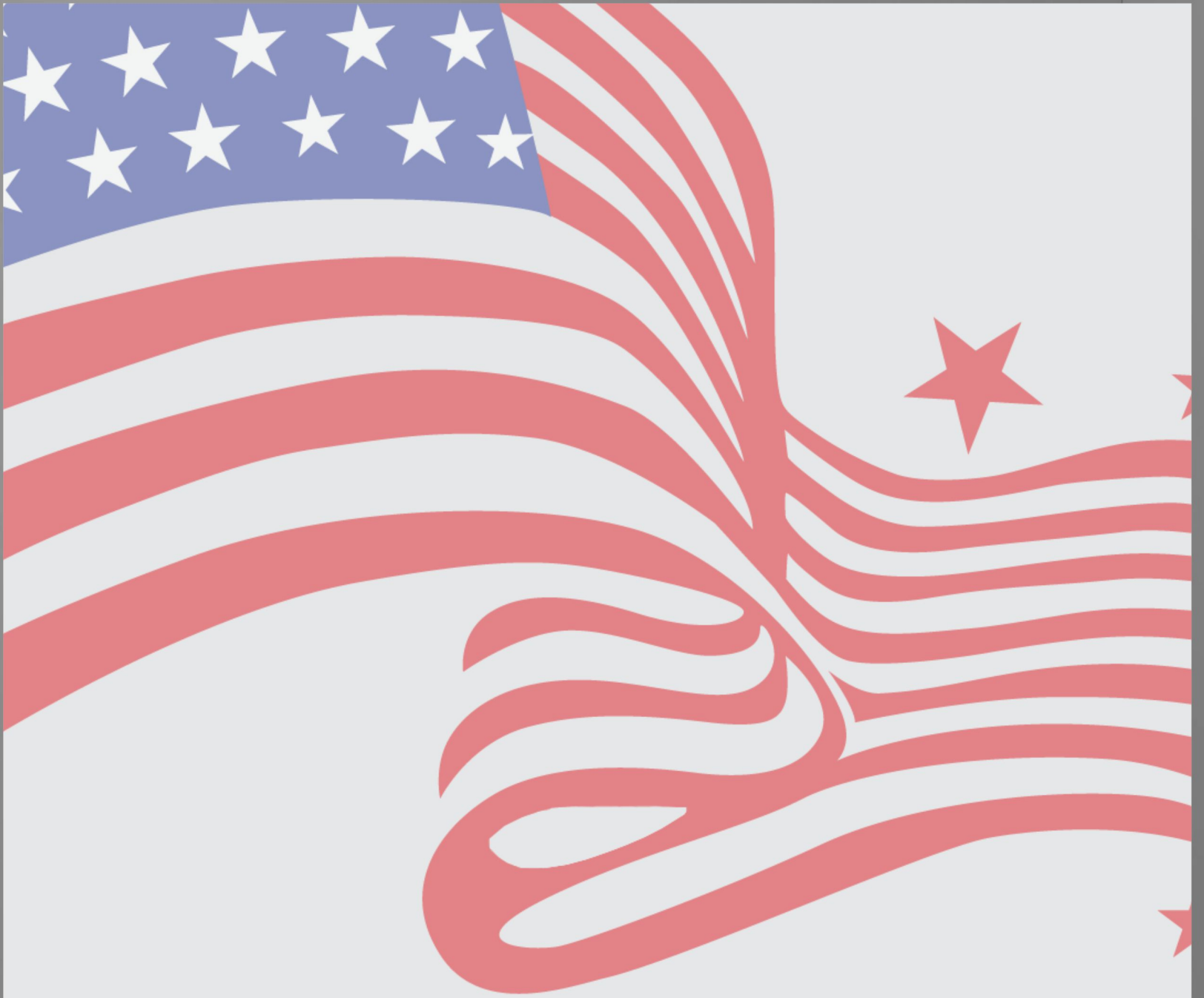
SIDE VIEW

All dimensions are in mm (Inch)

DUTY TABLE :

Machine	Elevator Duty		Car Speed		Rated Power		Rated Speed	Rated Freq.	Rated Torque	
	(lbs)	(Kg)	(fpm)	(m/sec)	(HP)	(kW)	(RPM)	(Hz)	(Nm)	(ft/lbs)
X7	3500	1588	350	1.78	25.08	18.7	54	10.7	3339	2463





SHARP
ENGINEERS
NORTH AMERICA



SHARP ENGINEERS LLC
25673 Hillview Court Mundelein,
IL - 60060.
Mobile : +1 (847) 867 - 2079.
E-mail : kaushal@sharpengineers.com